

FEATURES

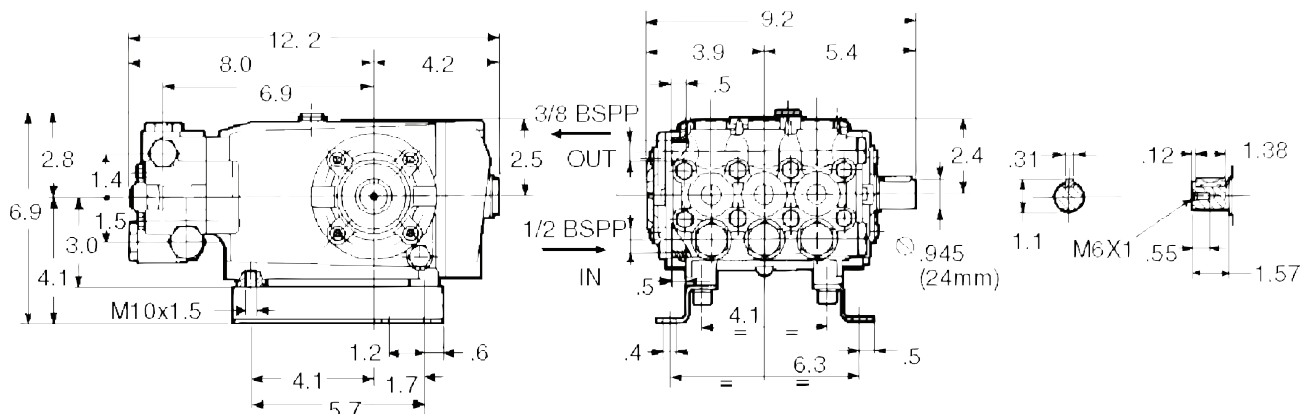
- The preferred pump frame in the pressure cleaning industry
- Forged brass manifold with an exclusive lifetime warranty
- Large-capacity, die-cast, anodized aluminum oil-bath crankcase
- Over-sized connecting rods for maximum life
- Heavy-duty tapered roller bearing
- Solid ceramic plungers with continuously lubricated packings
- Unitized stainless steel inlet and discharge valves
- Designed for suction applications
- Manifold with fine thread valve caps



SPECIFICATIONS

Pump Model	TSS1021	TSS1511
Maximum Volume	4.5 / 5.6 GPM	4.0 GPM
Maximum Discharge Pressure	3500 / 1700 PSI	3500 PSI
Maximum Pump Speed	1125 / 1450 RPM	1450 RPM
Maximum Inlet Pressure	125 PSI	
Maximum Inlet Vacuum	9 ft. water (7.9 in. Hg)	
Plunger Bore	.787 in. / 20 mm	
Plunger Stroke	.630 in. / 16 mm	.472 in. / 12 mm
Crankcase Oil Capacity	40.6 oz.	
Maximum Fluid Temperature	165° F	
Inlet Port Thread	1/2-14 BSP-F	
Discharge Port Thread	3/8-19 BSP-F	
Shaft Diameter	.945 in. / 24 mm	
Weight	32 lbs.	
Dimensions	12.6" x 9.2" x 6.9"	

DIMENSIONAL DRAWING



TRIPLEX

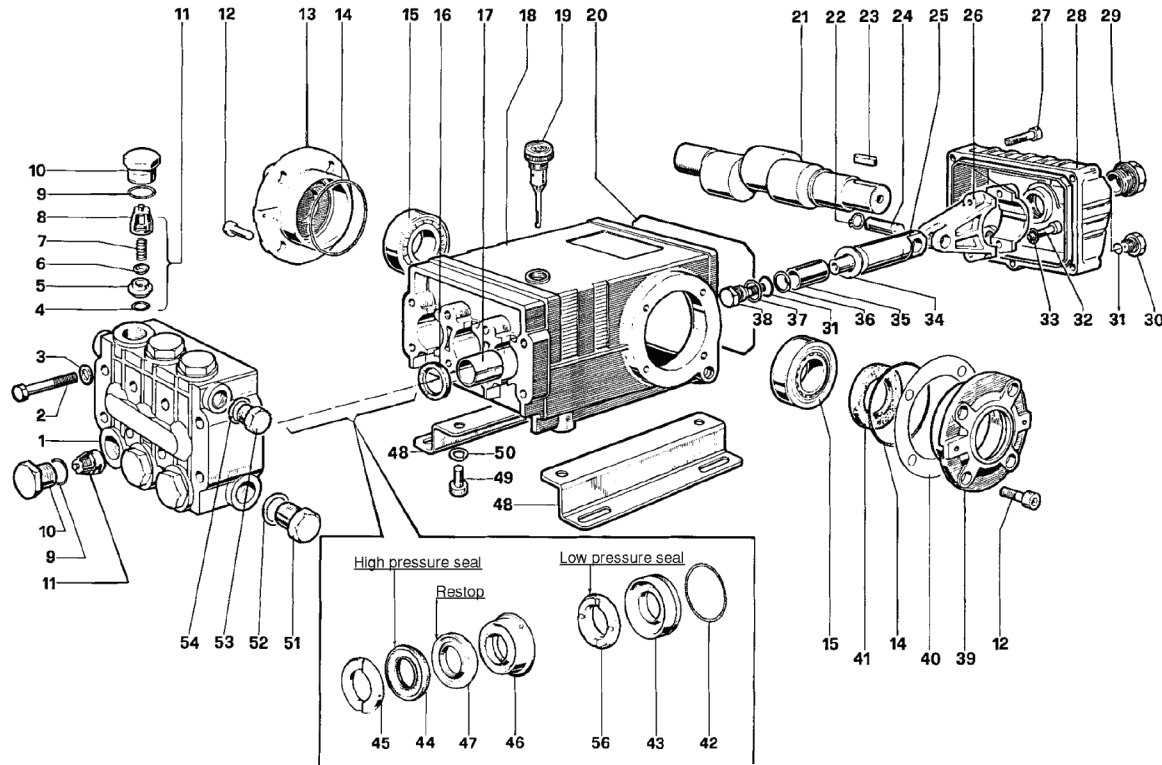
TRIPLEX



General Pump
is a member of
the Interpump Group

Ref 300896 Rev. D
06-16





PARTS LIST

ITEM	PART NO.	DESCRIPTION	KIT NO.	QTY.	ITEM	PART NO.	DESCRIPTION	KIT NO.	QTY.	ITEM	PART NO.	DESCRIPTION	KIT NO.	QTY.
1.	47121741	Manifold		1	19.	98210600	Oil Dip Stick		1	37.	96728000	Washer	6	3
2.	99320600	Screw, M8 x 70		8	20.	90392200	O-ring, Cover		1	38.	47219566	Screw, Plunger	6	3
3.	96702000	Washer, M8.4		8	21.	47021735	Crankshaft, TSS1021		1	39.	47150022	Cover, Crankcase		3
4.	701115	O-ring, .674 x .10	1	8		47021835	Crankshaft, TSS1511		1	40..	97567800	Shim		2
5.	36200366	Seat, Valve	1	6	22.	90055700	Ring, Snap		6	41.	90164800	Seal, Oil	3	1
6.	36200176	Plate, Valve	1	6	23.	91489000	Key		1	42.	90361600	O-ring, 1.364x.070	10,28	3
7.	94737600	Spring	1	6	24.	97738000	Pin, Wrist		3	43.	47080570	Retainer, Packing	10,28	3
8.	36200251	Guide, Valve	1	6	25.	47050554	Guide, Plunger		3	44.	90270500	Packing	28,69	3
9.	701002	O-ring, .797x.103	4,5	6	26.	47030001	Connecting Rod		3	45.	47100051	Ring, Head, M20	7,28	3
10.	98222800	Cap	4	6	27.	99191200	Screw, M6x30		5	46..	47216970	Intermed. Ring	28, 71	3
11.	36703201	Valve Assembly	1	6	28.	47160122	Cover, Crankcase		1	47.	90270400	Restop Ring	28,69,71	3
12.	99303900	Screw, M8 x 16		8	29.	97596800	Oil Indicator		1	48.	47200074	Pump Feet		2
13.	47150122	Cover, Crankcase Side		1	30.	98204100	Cap		1	49.	99364400	Screw, M10 x 18		4
14.	701147	O-ring, 2.675x.103		2	31.	701013	O-ring, .426x.070	6	4	50.	96710600	Washer, M10.2		4
15.	640047	Bearing, Roller		2	32.	99309900	Screw, M8 x 35		6	51.	98217600	Cap		1
16.	90162500	Seal, Oil	2	3	33.	96701400	Washer, M8.4		6	52.	96751400	Washer, M21.5		1
17.	90912600	Bushing		3	34..	96728600	Washer, M14		6	53.	98210000	Cap		1
18.	47010522	Crankcase		1	35.	47040409	Plunger, 20 mm		3	54.	96738000	Washer, M17.5		1
					36.	660067	Ring, Back-up	6	3	56.	90271000	Seal, Low Press, 20 mm	28, 69	3

REPAIR KITS

KIT NO.	K01	K02	K03	K04F	K06	K07	K10	K28	K69	K71
ITEM NO's INCLUDED IN KIT	4,5,6 7,8 (11)	16	41	9, 10	31,34,36 37,38	45	42, 43	42, 43 44, 45 46,47,56	44, 47 56	46, 47
NUMBER OF ASSEMBLIES IN KIT	6	3	2	6	3	6	3	1	3	3
NUMBER OF CYLINDERS KIT WILL SERVICE	3	3	-	3	3	3	3	1	3	3

TORQUE SPECS*

Pos.	Ft/lb	N-M
2	22.1	30
10	95.9	130
12	14.7	20
27	7.3	10
29	8.8	12
30	14.7	20
32	14.7	20
38	14.7	20
49	29.4	40
51	29.4	40

* Decrease torque by 20% if threads are lubricated

Ref 300896 Rev. D
06-16